

# LED EXIT SIGN SERIES



## Technical Specifications

Size:	12.2" L x 4.3" W x 10.1" H
Watts:	2W
Voltage:	120/277VAC (60Hz)
Dimmable:	No
IP Rate:	IP20
Materials:	Thermoplastic ABS, Aluminum
Housing Color:	White
Letter Color:	Red, Green
Lifespan:	50,000 hours
Backup Time:	≥90 minutes
Mounting:	Wall, Side, Ceiling
Finish:	Mirrored

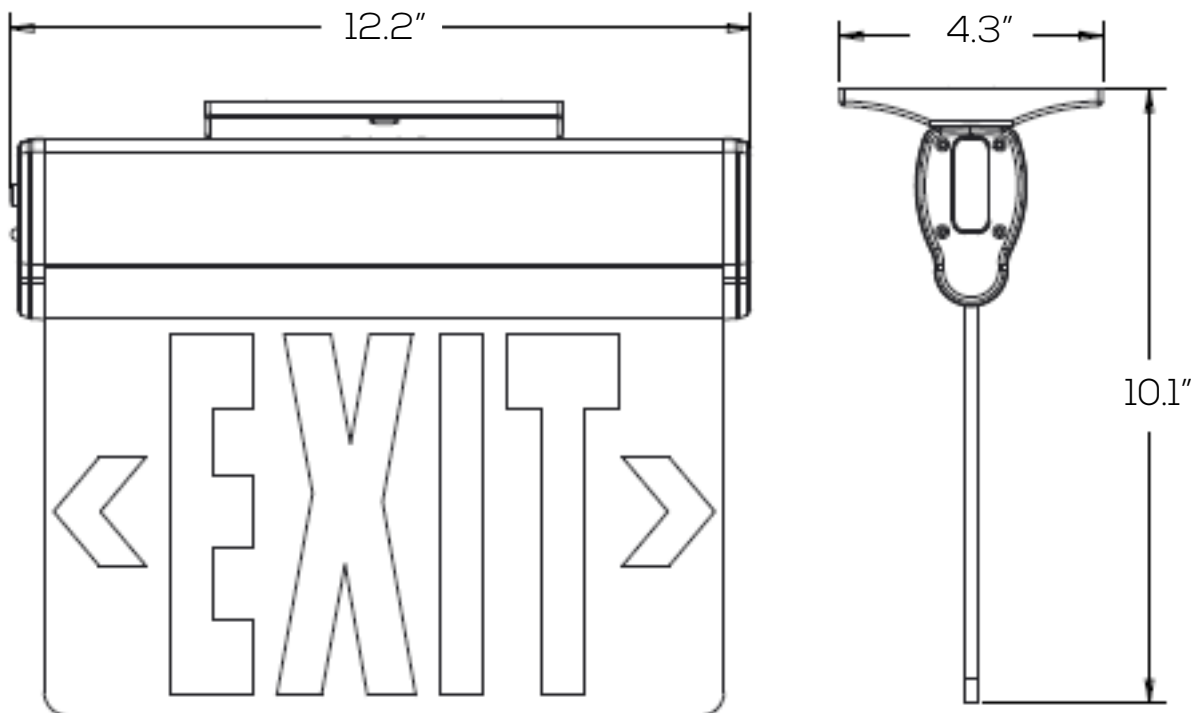


## Features

This sign has a mirrored finish in order to show letters on both sides. It can be mounted on the wall or ceiling. These are widely used to indicate emergency exits in commercial spaces.



## Dimensions



## Model Numbers

[BB-EX7008RD-R](#)

[BB-EX7008RD-G](#)