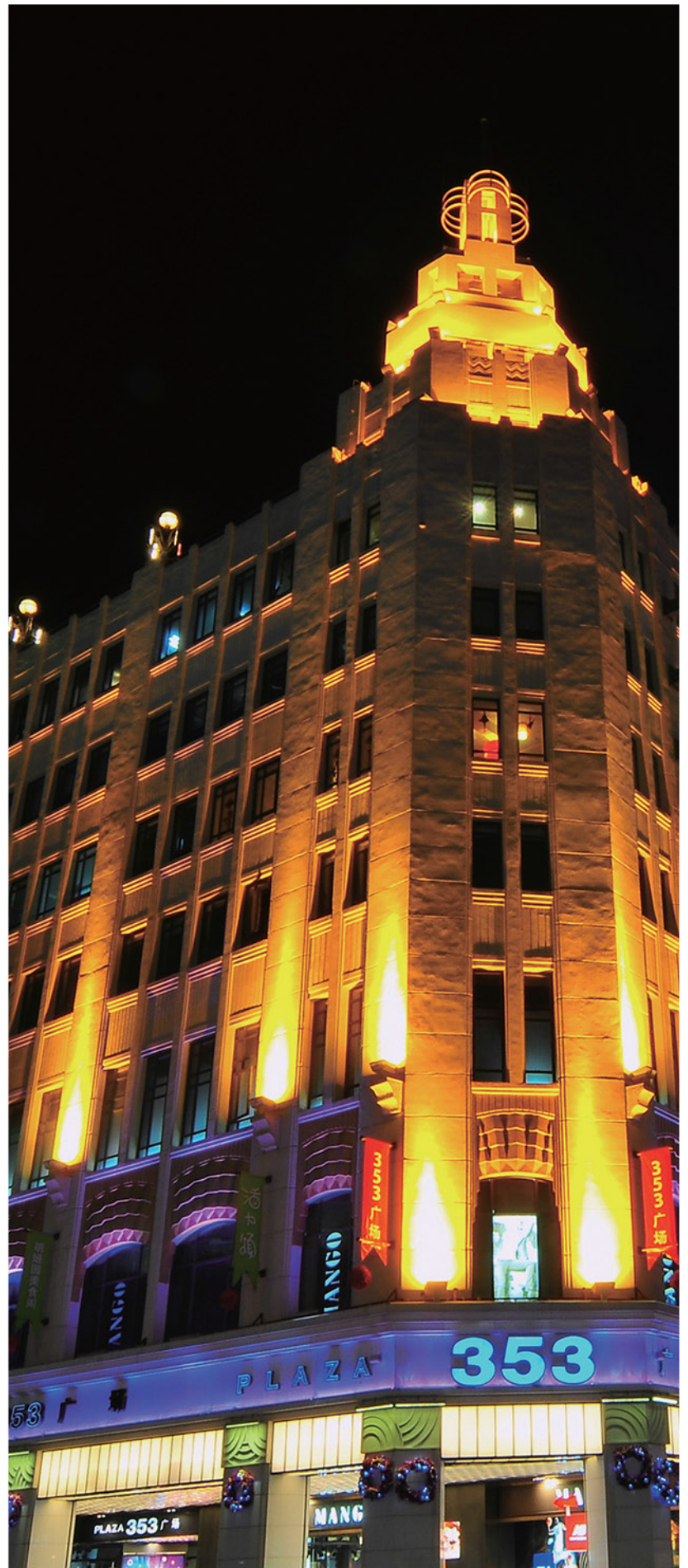


LED FLOOD LIGHTS SERIES



Technical Specifications

Item No.	
Size	32*45.5*18.5cm
Watts	150W 100W
Luminous Flux	13500lm 10000lm
CCT	6000K
CRI	≥71
Voltage	100-277V
Beam Angle	120°V
PF	≥0.95
IP Rate	IP68
Material	Aluminum Alloy & PC

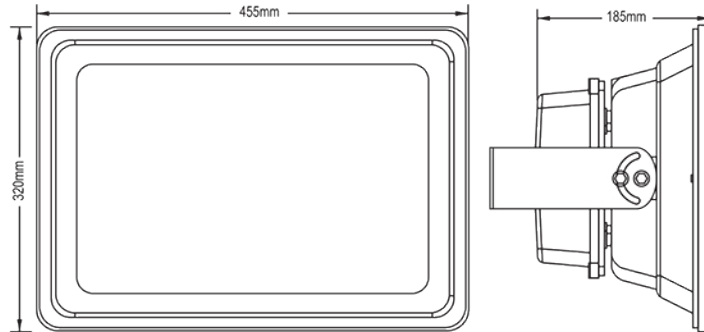


Features

This revolutionary product adopts the latest technology, replacing traditional bulbs with energy-efficient LEDs. Widely used in the lighting of hotels, office complexes, billboards and stadiums, these fixtures are suitable for a variety of applications, and will reduce your energy bills.



Dimensions (mm)



Candle Power Distribution

