



# LED FLOOD LIGHT SERIES

## FLT

30W | 50W | 80W | 100W  
150W | 220W | 300W

### Yoke Mount



### Knuckle Mount (only available in 30W/50W)



## Technical Specifications

Watts:	30W   50W   80W 100W 220W   300W
Size:	See Reverse
Lumen Output:	3000lm   4900lm   8600lm   11,000 lm   16,400lm   24,000lm 32,5000
CCT:	Cool White   5700K
Voltage:	AC100-277V (210V/480V Available)
Beam Angle:	120°
Qualifications:	DLC   CE   cUL   RoHS
CRI:	>75Ra
PF:	0.9
IP Rate:	IP65
Lifespan:	50,000 hours



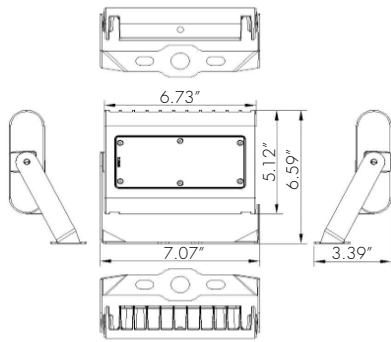
## Features

This product adopts the latest LED technology with high lumen efficiency combined with a IP65 rating and durable design. LED flood lights provide a great replacement for traditional metal halides and HPS flood lights providing up to 70% energy savings. LED flood lights provide excellent light distribution which increase the safety and beauty of outdoor areas. These lights are suitable for a variety of applications and have a long-life span of 50,000 hours.

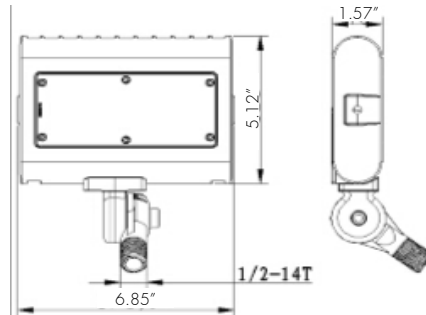


# RoHS

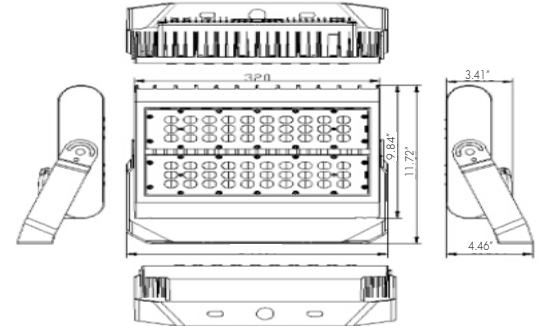
## Dimensional Diagrams (in.)



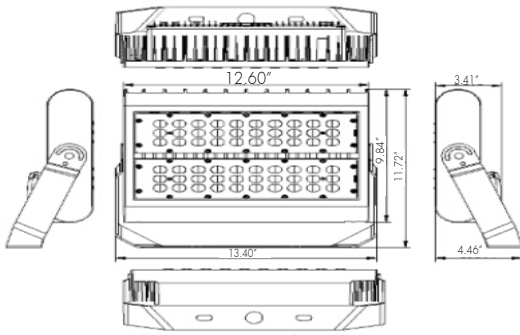
30W Yoke



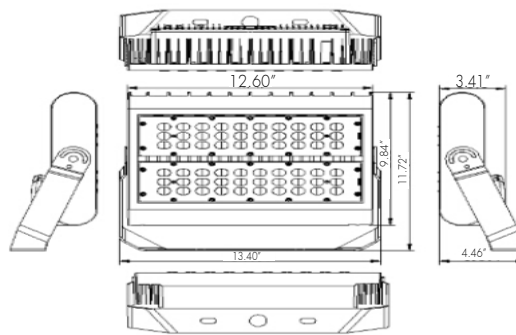
30W Knuckle



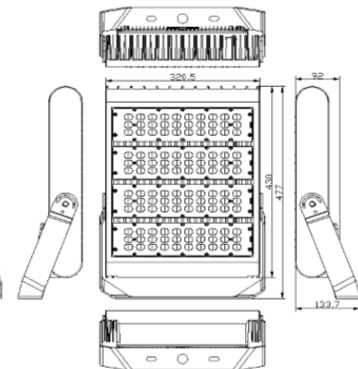
80W Yoke



100W Yoke

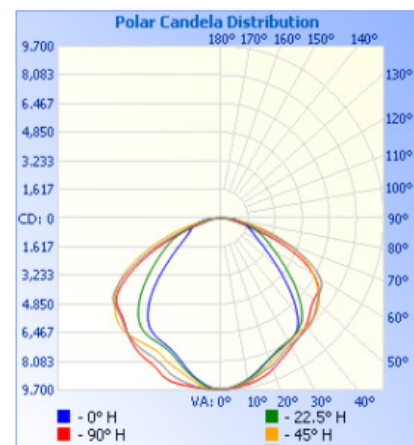
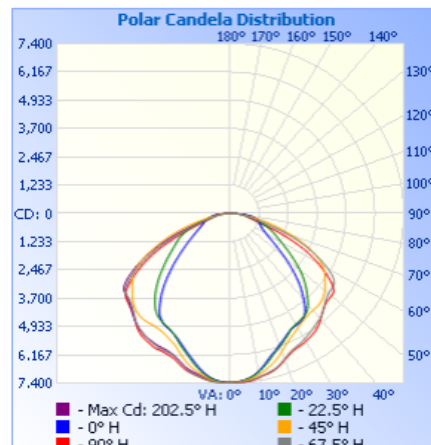
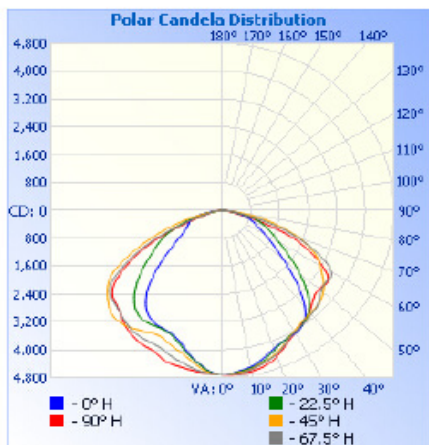


150W Yoke



220W Yoke

## Isolux Diagrams



## Model Numbers

BB-FLT-5700-30

BB-FLT-5700-50

BB-FLT-5700-80

BB-FLT-5700-100

BB-FLT-5700-150

BB-FLT-5700-220

BB-FLT-5700-300