



LED HIGH BAY SERIES

HB

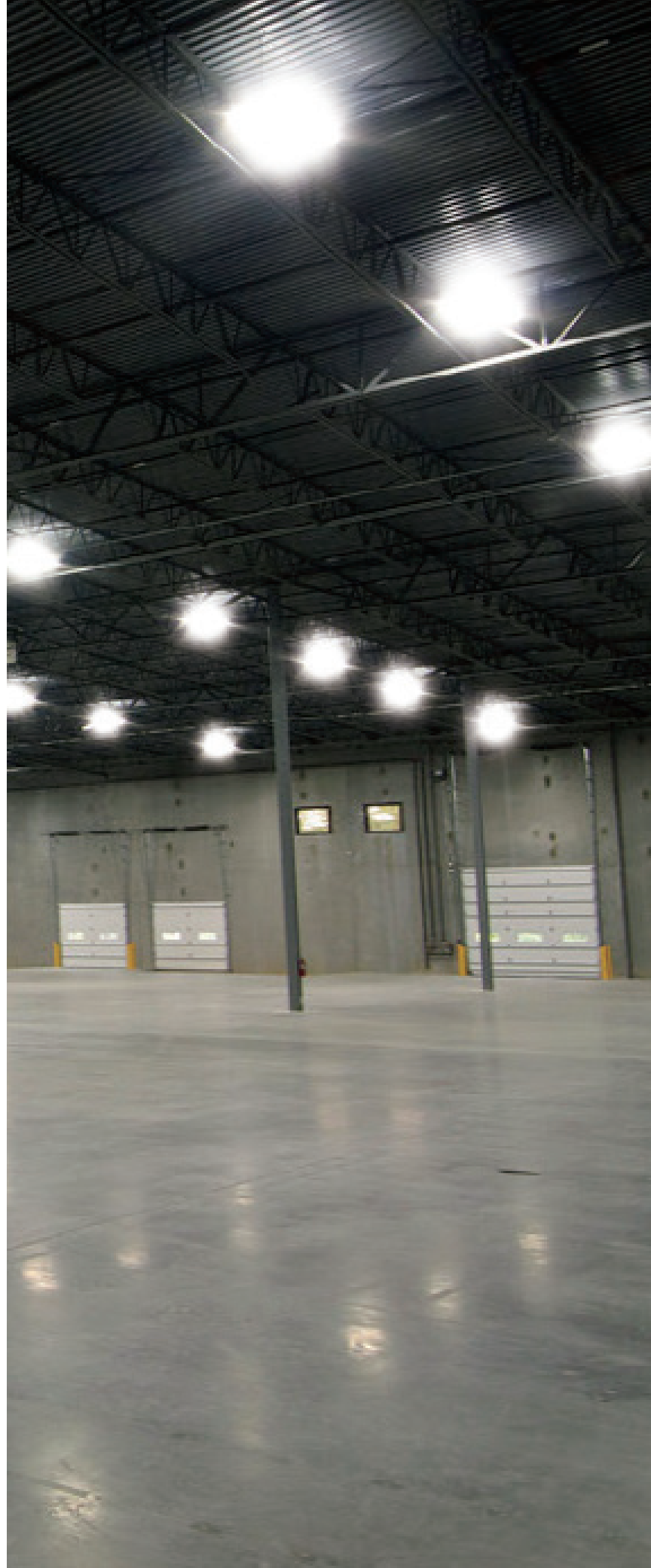
100W | 150W | 220W



Technical Specifications

Watts:	100W 150W 220W
Size:	Ø14.0X5.2" Ø14.0X5.5" Ø14.0X6.9"
Lumen Output:	12,400lm 18,500lm 26,300lm
CCT:	Cool White 5700K
Voltage:	AC100-277V (210-480V Available)
Beam Angle:	60° or 90°
Qualifications:	cUL UL DLC
Base:	Yoke Pendant
CRI:	>80Ra
PF:	≥0.9
IP Rate:	IP65
Lifespan:	50,000 hours

*Not all products are qualified on the DLC QPL. To view our DLC qualified products, please consult the DLC Qualified Products List at www.designlights.org/qpl



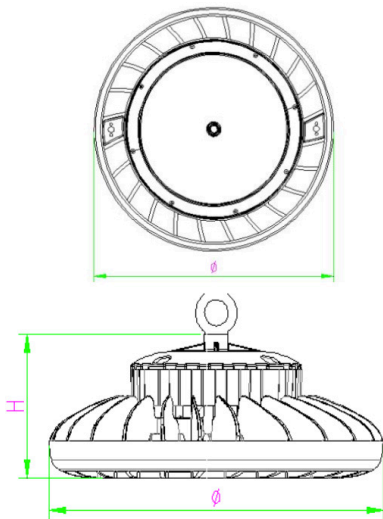
Features

We are proud to offer this high-quality UL rated LED High bay fixtures. This product adopts the latest LED technology with high lumen efficiency combined with specially designed acrylic lens to provide optimum light distribution.

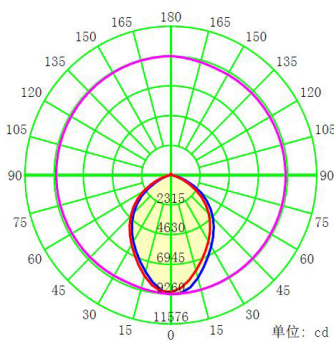


*Not all products are qualified on the DLC QPL. To view our DLC qualified products, please consult the DLC Qualified Products List at www.designlights.org/qpl.

Dimensional Diagrams (in.)



Isolux Diagrams



— C0-C180 — C90-C270 — G0

Model Numbers

BB-HB-100

BB-HB-150

BB-HB-220

BB-HBH-100

BB-HBH-150

BB-HBH-220