



LED NEON FLEX SERIES

SMD2835 10W



Technical Specifications

Watts: 10W / meter

Size: .39"X.79"

Lumen Output: 370lm

CCT: RGB

Voltage: 12V | 24V | 110V

Beam Angle: 90°

Certifications: UL

IP Rate: IP66

Lifespan: 50,000 hours

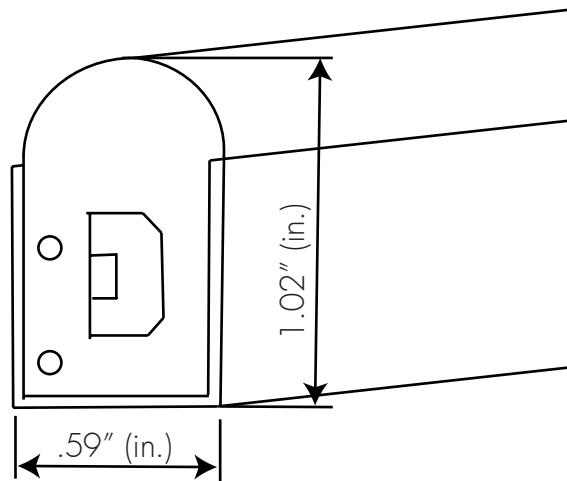
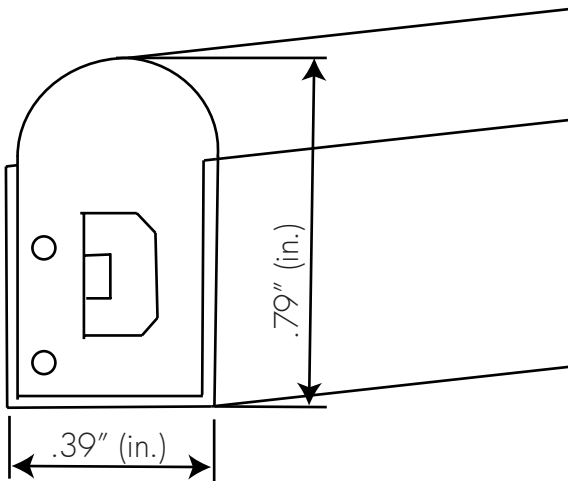


Features

This product series adopts high quality LEDs to directly replace traditional lighting. The Neon Flex series is suitable for broad applications, and will provide significant energy savings.



Dimensional Diagrams (in.)



Color Options

RED	GREEN	BLUE
ORANGE	YELLOW	VIOLET
PINK	WHITE	WARM WHITE

Model Numbers

BB-SMD2835-7

BB-SMD2835-9