



# LED SOLAR LIGHT SERIES

## SWL

1.5W | 2W | 3.2W | 6.8W



### Technical Specifications

Watts:	1.5W   2W   3.2W   6.8W
Size:	See Reverse
Lumen Output:	200lm   260lm   400lm   800lm
CCT:	Backlight   Warm White -3000K Frontlight   Cool White -6000K
Beam Angle:	120°
Voltage:	DC3.7V
Qualifications:	CE   RoHS
CRI:	≥80Ra
PF:	0.95
IP Rate:	IP65
Lifespan:	35,000 hours



## Features

This revolutionary product adopts the latest technology, replacing traditional lighting with energy efficient LEDs. These solar lights feature a continuous back light design, which is activated at dusk to set the environment for your location. These lights are suitable for broad applications and will reduce energy bills to provide significant energy savings.

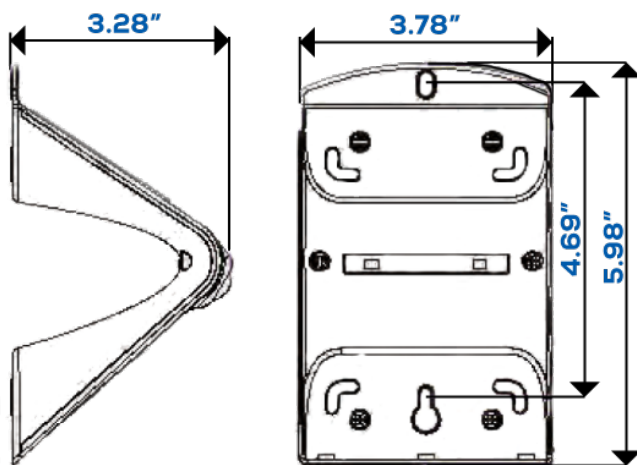


CE

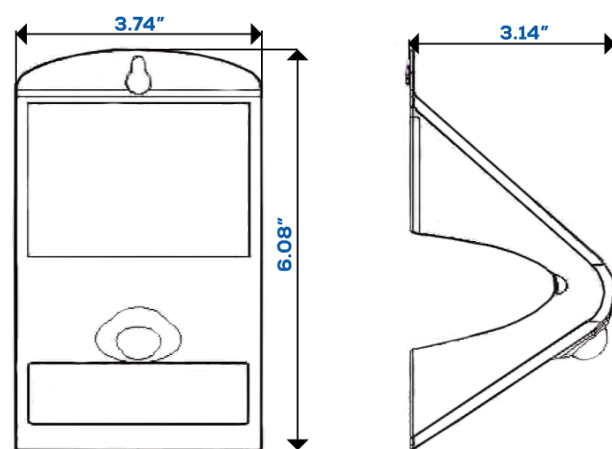
RoHS

## Dimensional Diagrams (in.)

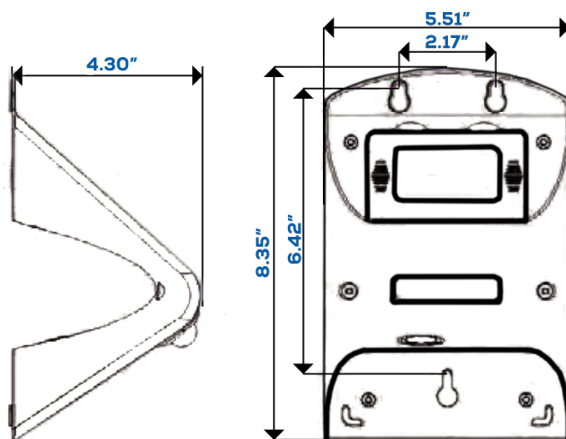
1.5W  
SLW-1.5W-B



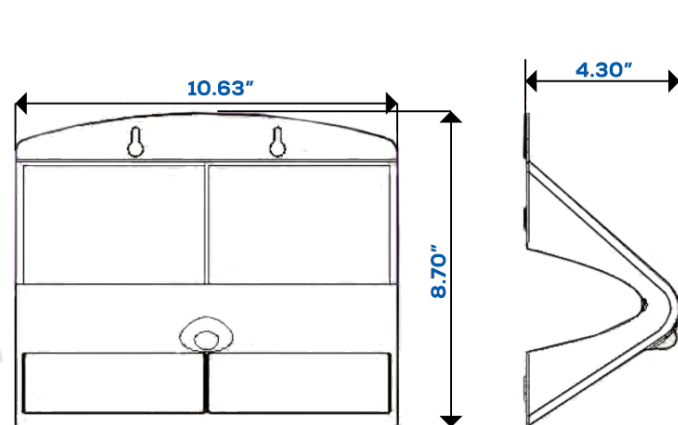
2W  
SLW-2W-B



3.2W  
SLW-3.2W-B



6.8W  
SLW-6.8W-B



## Model Numbers

BB-SLW-1.5W-B  
BB-SLW-3.2W-B

BB-SLW-2W-B  
BB-SLW-6.8W-B