

LED SOLAR LIGHT SERIES



Technical Specifications

Size:	6.2" L x 4.9" W x 6" D
Watts:	2W
Lumen:	200lm
CCT:	3000K
Voltage:	DC3.7V
Dimmable:	No
Beam Angle:	120°
CRI:	>80
PF:	0.95
IP Rate:	IP65
Materials:	ABS, PC
Housing Color:	Silver
Lifespan:	35,000 hours

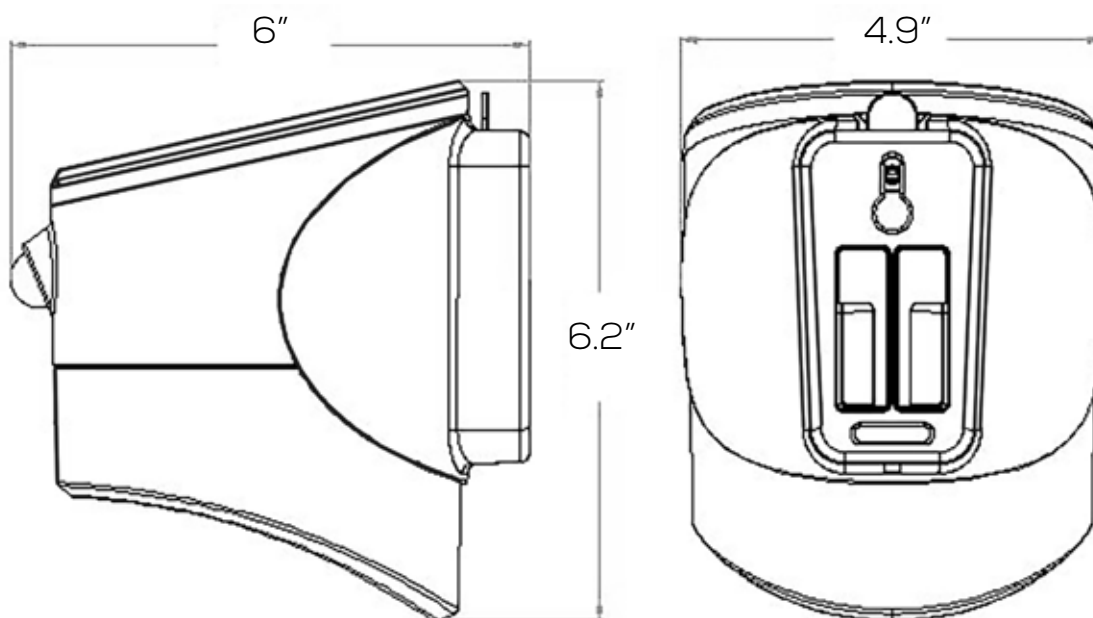


Features

This Solar Wall Light is intended for the exterior of buildings and homes. It automatically turns on when the photocell sensor detects low light.



Dimensions



Model Numbers

BB-SWL-2W-C