

LED WALL PACK SERIES



Technical Specifications

Size:	13.4" L x 12.6" W x 5.3" D
Watts:	60W 80W 100W 120W
Lumen:	7500lm 10,520lm 12,400lm 14,470lm
CCT:	3000K 5700K
Voltage:	AC100-240V 100-277V (50-60Hz)
Dimmable:	No
Beam Angle:	150° 85°
CRI:	≥80
PF:	0.9
IP Rate:	IP65
Materials:	Aluminum, PC
Housing Color:	Black, Clear
Lifespan:	50,000 hours

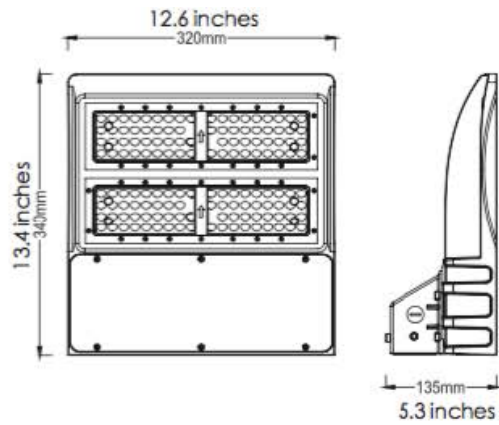
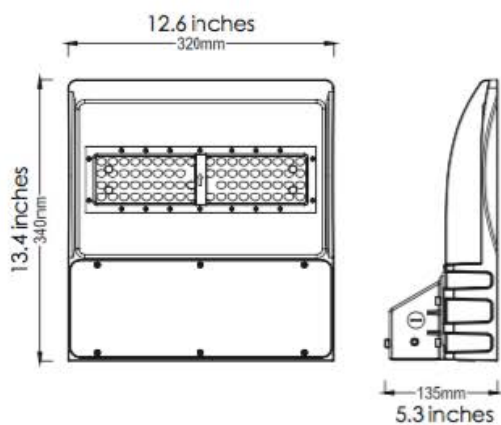


Features

LED Wall Packs are safe for outdoor use and protected from rain, snow, and weak jets of water, such as sprinklers. These Wall Packs are perfect for landscaping, courtyards, and entryways.



Dimensions



Model Numbers

BB-WPN-5700-60

BB-WPN-5700-100

BB-WPN-3000-60

BB-WPN-3000-100

BB-WPN-5700-80

BB-WPN-5700-120

BB-WPN-3000-80

BB-WPN-3000-120