



LED SEMI-CUTOFF WALL PACK SERIES



Technical Specifications

Size:	14.2" L x 9.3" W x 9.9" D
Watts:	55W 80W
Lumen:	6,325-7,150lm 9,200-10,400lm
CCT:	4000K 4500K 5000K 5700K
Voltage:	V100-277AC
Dimmable:	No
Beam Angle:	110°
CRI:	>80
PF:	>0.9
IP Rate:	IP65
Materials:	Aluminum, PC
Housing Color:	Brown
Lifespan:	50,000 hours

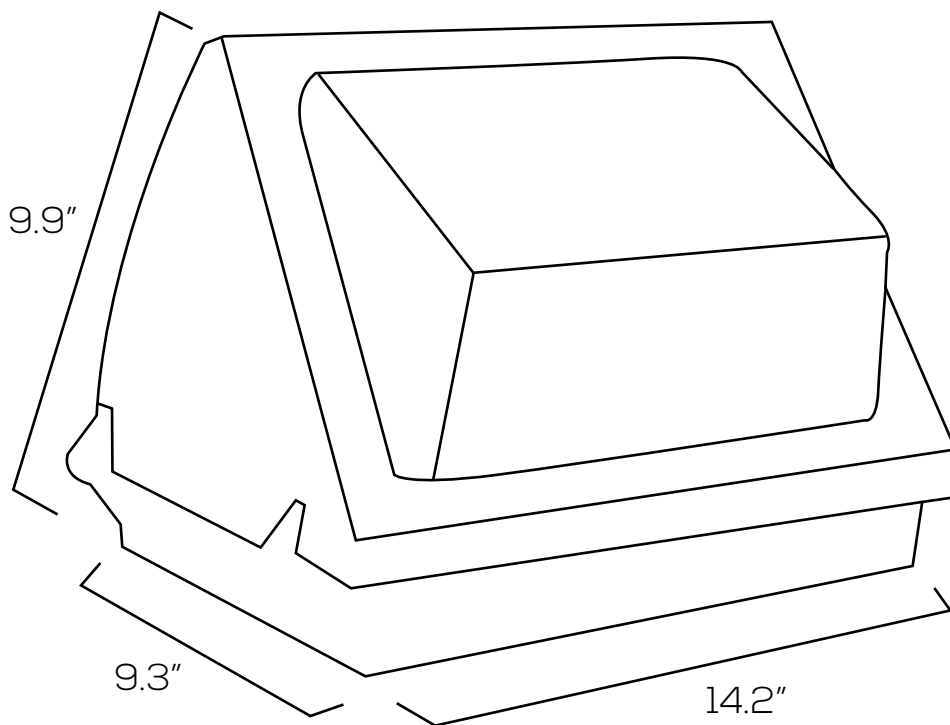


Features

This LED Semi-Cutoff Wall Pack Series adopts the latest technology, replacing traditional bulbs with energy efficient LEDs. These are widely used in the lighting of homes, hotels, offices, hallways, garages, streets, landscapes and other commercial spaces. These fixtures are suitable for a variety of applications and will provide significant energy savings.



Dimensions



Model Numbers

[BB-SWP-5700-55](#)

[BB-SWP-5700-80](#)