

Size	6" W x 9.1" H x 3.6" D
Watts	26W
Voltage	100-277V
Dimming	Non-Dimming
Beam Angle	110°
CRI	>70
PF	≥ 0.9

Lumens	3000lm
CCT	3000K
IP Rating	IP65
Materials	Aluminum, PC
Finish	Bronze
Lens	Clear
Lifespan	50,000 Hours

OVERVIEW

- CCT:** 3000K
- Applications:** IP65
- Efficacy:** 120lm/W
- Dimming:** Non-Dimming
- LED Type:** SMD Lumileds Chips
- Lens Type:** Clear
- Driver:** Independent research and development
- Operating Temp:** -4° to 122° F
- Operating Humidity:** 10%-90% RH
- Lifespan:** 50,000 Hours
- Warranty:** 5 Years

FEATURES

- Photocell Light Sensor automatically activates the lights when dark
- Protected from the elements with an IP65 rating making it suitable for wet conditions
- Offers cool white light with a 110° beam spread

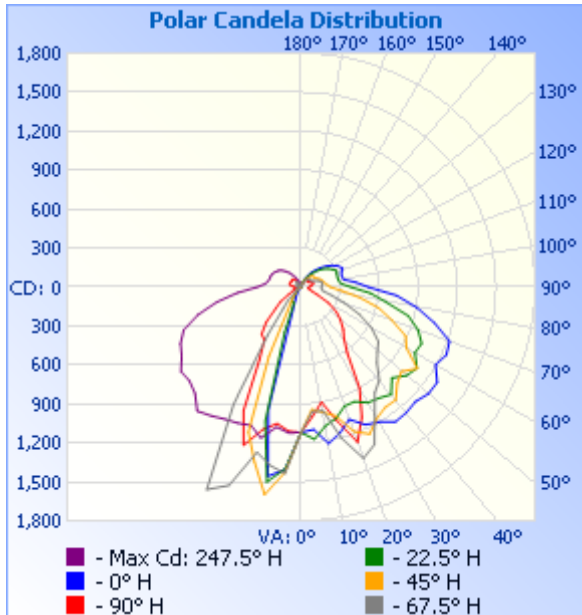
BulbBasics LED MINI WALL PACKS are commonly used to replace high-pressure sodium and metal halide lights to provide energy savings of up to 70%. These lights provide great lighting to poorly lit areas. They are safe for outdoor use and protected from rain, snow, and weak jets of water, such as sprinklers.

This wall pack adopts the latest technology, replacing traditional bulbs with energy efficient LEDs. These are widely used in the lighting of homes, hotels, offices, hallways, garages, streets, landscapes and other commercial spaces. These fixtures are suitable for a variety of applications.



PHOTOMETRICS:

X° Beam Angle: (Polar Candela Dist.)



Light Distance: (Illuminance at a Distance)

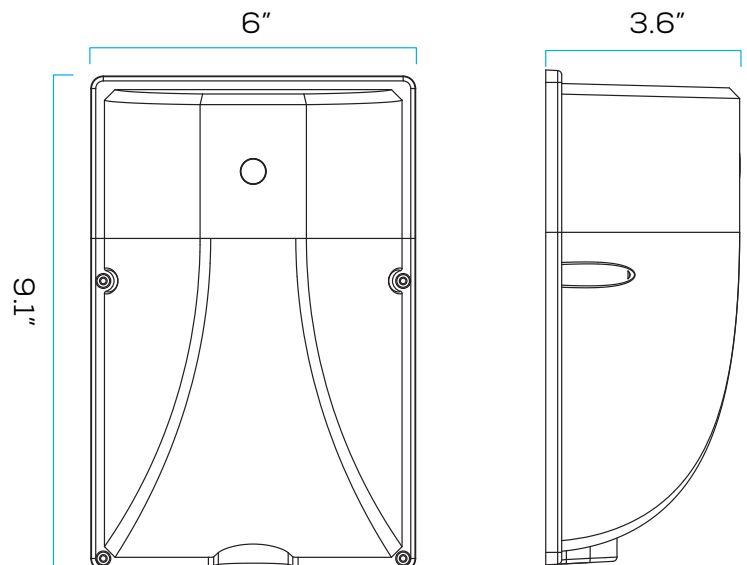
	Illuminance at a Distance	
	Center Beam fc	Beam Width
2.5ft	179 fc	4.9 ft 2.9 ft
5.0ft	44.8 fc	9.8 ft 5.7 ft
7.5ft	19.9 fc	14.7 ft 8.6 ft
10.0ft	11.2 fc	19.6 ft 11.5 ft
12.5ft	7.16 fc	24.4 ft 14.3 ft
15.0ft	4.97 fc	29.3 ft 17.2 ft

■ Vert. Spread: 88.7°
■ Horiz. Spread: 59.7°

IMPORTANT SAFEGUARDS:

1. Installation, service and maintenance should be performed by a qualified licensed electrician.
2. Make all electrical and grounded connections in accordance with national electrical code and any applicable local code requirements.
3. Disconnect power at fuse or circuit breaker before installing or servicing.
4. Review the diagrams thoroughly before beginning.
5. Do not mount in hazardous locations, or near gas or electric heaters.
6. Do not let power cords touch hot surfaces.
7. Equipment should be mounted in locations where it will not be subjected to tampering by unauthorized personnel.
8. Do not use equipment for other than its intended use.

DIMENSIONS:





MWP

MINI LED WALL PACK

Project: _____ Type: _____

Name: _____ Date: _____

ORDER FORM:

(* Special Order/Not Commonly Stocked)

Custom Model Assembly

Fixture	CCT	Watts	Beam Angle	Voltage
<input checked="" type="checkbox"/> MWP	<input checked="" type="checkbox"/> 3000K	<input checked="" type="checkbox"/> 26W	<input checked="" type="checkbox"/> 110°	<input type="checkbox"/> 100-277V

BB-MWP-3000-26
Example Model Number

BB - MWP - 3000K - 26W - 110° - 100-277V

Quantity	Fixture	CCT	Watts	Beam Angle	Voltage
----------	---------	-----	-------	------------	---------

Common Stock Models:

Item #	Model #
11307	BB-MWP-3000-26

