

Size	14.4" x 7.4" x 9.3"	Lumens	8350-8700lm
Watts	60W	CCT	Tunable: 3000K+4000K+5000K
Voltage	120-277V	IP Rating	IP65
Dimming	0-10V	Materials	Die-cast aluminum
Beam Angle	105°	Finish	Bronze
CRI	>80	Lens	Clear
PF	≥0.9	Lifespan	50,000 hours

BulbBasics LED SEMI-CUTOFF WALL PACKS are commonly used to replace high-pressure sodium and metal halide lights to provide energy savings of up to 70%. These Wall Pack lights are safe for outdoor use and are protected from rain, snow, and weak jets of water, such as sprinklers. This light is CCT Tunable, featuring 3 different color temperatures to choose from.

This wall pack adopts the latest technology, replacing traditional bulbs with energy efficient LEDs. These are widely used in the lighting of homes, hotels, garages, streets, landscapes and other commercial spaces. These fixtures are suitable for a variety of applications and will provide significant energy savings.

OVERVIEW

- Applications:** In/Outdoor IP65
- Efficacy:** 140-155lm/w
- Dimming:** 0-10V
- LED Type:** SMD 2835
- Lens Type:** Clear
- Driver:** BOE55-0510-118-PVF-PS
- Operating Temp:** -40° to 122° F
- Operating Humidity:** 20-95%RH
- Lifespan:** 50,000 hours
- Warranty:** 5 years

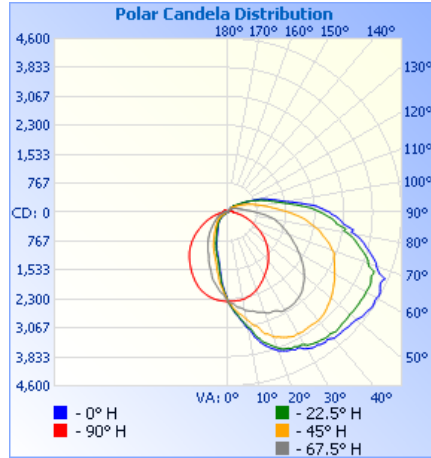
FEATURES

- Photocell Light Sensor automatically activates the lights when dark
- CCT Tunable Model available, allowing for color temperature selection
- Die-Cast Aluminum Casing for thermal management and durability
- Beautiful Powder Coated Bronze finish looks great in any location
- Corrosion-resistant design ideal for any extreme outdoor condition
- LEDs last for 50,000 hours.
- Bright and uniform, instant start, non-flickering, non-humming LEDs



PHOTOMETRICS:

60W

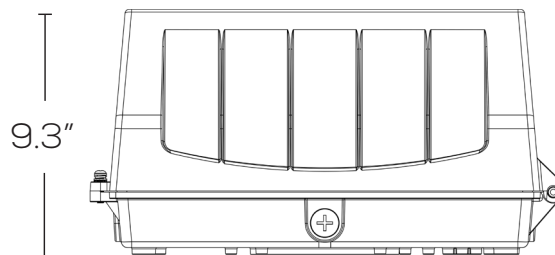
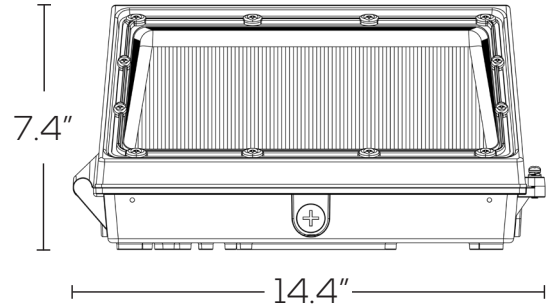
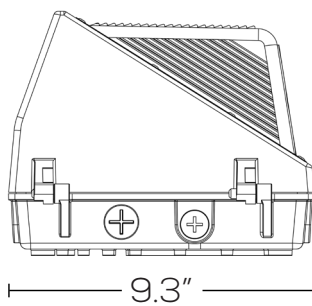
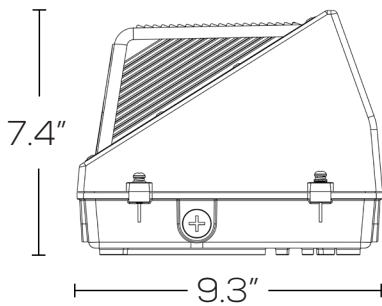


Illuminance at a Distance

	Center Beam fc	Beam Width	
4.3ft	128 fc	9.4 ft	10.9 ft
8.7ft	31.2 fc	19.1 ft	22.0 ft
13.0ft	14.0 fc	28.5 ft	32.9 ft
17.3ft	7.88 fc	37.9 ft	43.8 ft
21.7ft	5.01 fc	47.6 ft	55.0 ft
26.0ft	3.49 fc	57.0 ft	65.9 ft

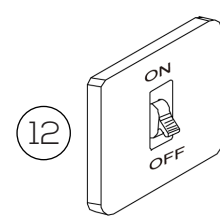
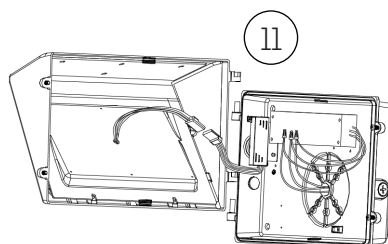
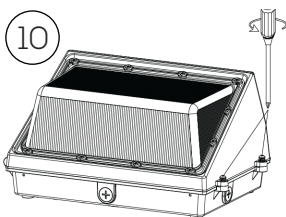
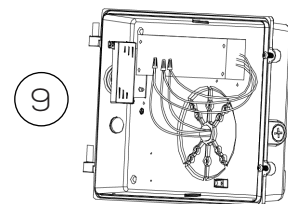
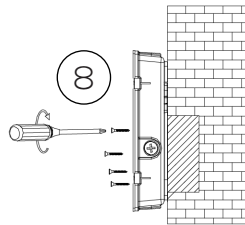
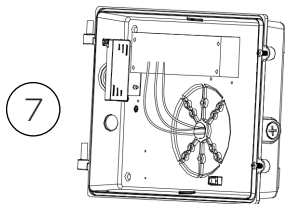
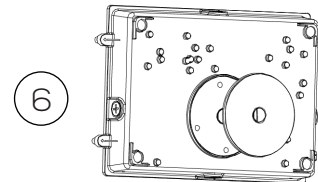
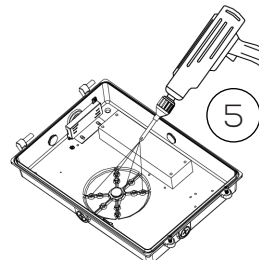
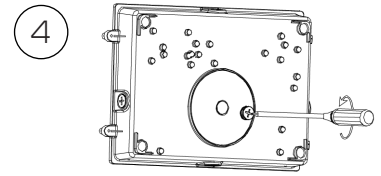
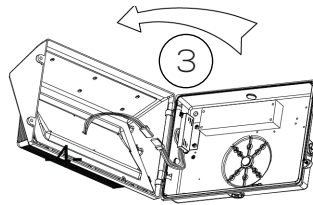
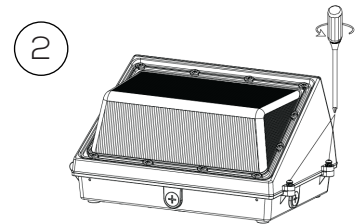
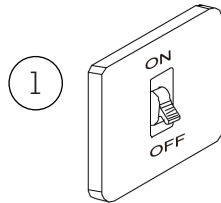
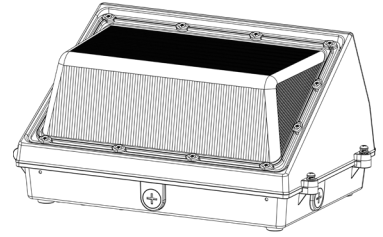
■ Vert. Spread: 95.2°
■ Horiz. Spread: 103.4°

DIMENSIONS



INSTALLATION:

1. Make sure power is turned off at the source before installing the fixture.
2. Use screwdriver to remove the screws on both sides.
3. Open fixture, pull out the connection terminals, and remove the upper cover of fixture.
4. Use a screwdriver to remove the plug.
5. Drill mounting holes with an electric drill.
6. Attach the EVA cotton pad to bottom shell.
7. Thread the wire through the bottom holes
8. Lock the bottom shell on the mounting seat with screws.
9. Connect the L, N and G wires to the power supply.
10. Mount the cover of the fixture and connect the terminals.
11. Screw the fixture back up.
12. Make sure the installation is complete before turning the power switch.





SWP07 | CCT Tunable Wall Pack

Project: _____ Type: _____

Name: _____ Date: _____

ORDER FORM:

(*) Special Order/Not Commonly Stocked

Custom Model Assembly

Fixture	CCT	Watts	Beam Angle	Voltage
<input checked="" type="checkbox"/> SWP07	<input checked="" type="checkbox"/> Tunable	<input checked="" type="checkbox"/> 60W	<input checked="" type="checkbox"/> 110°	<input checked="" type="checkbox"/> 120-277V

BB-SWP07-CCT-60-120
Example Model Number

	BB	– SWP07 –	– 60W –	110°	– 120-277V
Quantity	Fixture	CCT	Watts	Beam Angle	Voltage

Common Stock Models:

Item #	Model #	Type
11111	BB-SWP07-CCT-60-120	CCT Tunable Wall Pack

